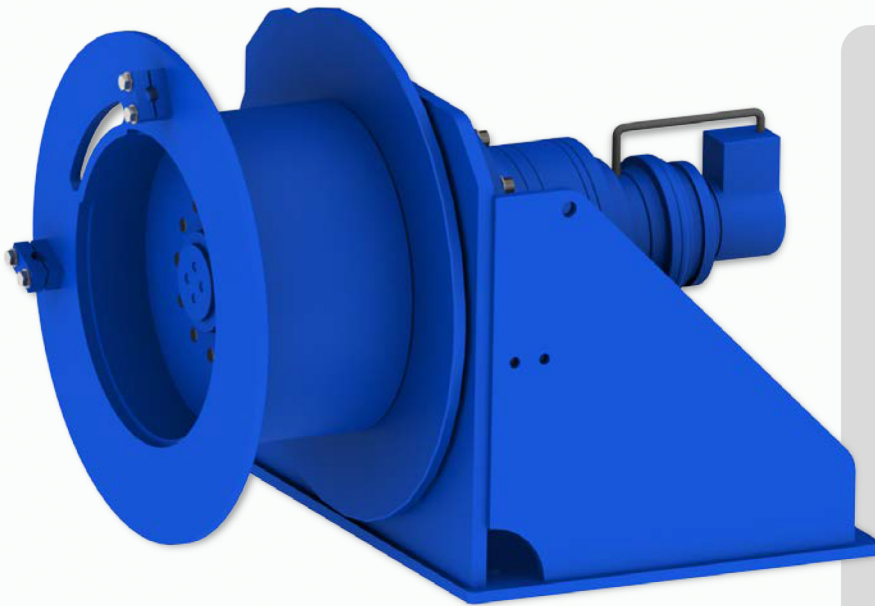


The series WS-HPV hydraulic planetary winches



The WS-HPV hydraulic planetary winch for applications with limited wire rope capacity and limited build-in space



Telephone: +44(0)1482 620991
Email: sales@winchsystems.co.uk
Web: www.winchsystems.co.uk

Standard build with high quality industrial planetary gearbox.
Available in many varieties in pulling or lifting applications. We are able to offer you many options as listed below.
Below types are a small and general spectrum of what we can offer in these types of winches. Please inform us your requirement.

Standard features

- High quality industrial planetary gearbox
- Negative multiple disc brake
- Orbit motor
- Oil filled
- 2-component paint system 150µm RAL 5002

Available options

- Galvanized drum guard €€
- Electric spindle limit switch €€
- Various motor options
- Grooved drum
- Pressure roller
- Slack wire switch
- Wire rope
- Alternative dimensions
- Alternative speed / pulling force

Available controls

- Proportional local or remote control valve

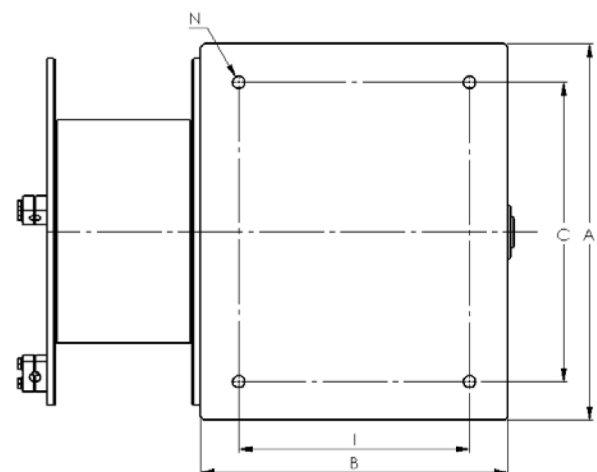
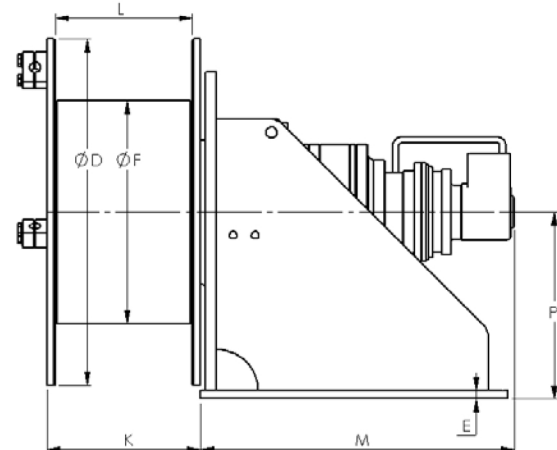
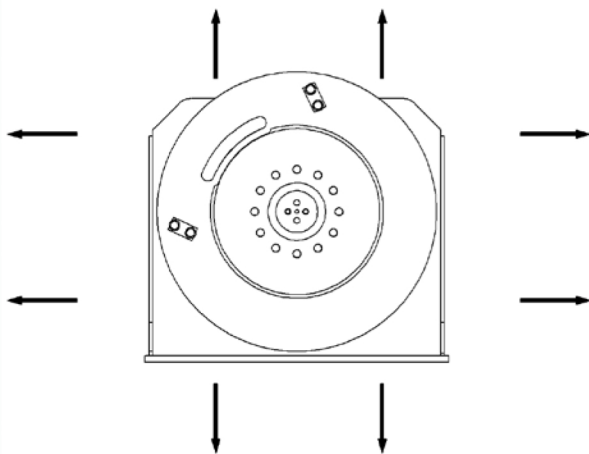
Technical specifications

The Series WS-HPV specifications

Winch type	W.L.L. Pull		W.L.L. Lift		Speed		Recomm. rope diam.	Drum cap. layer	Hydr motor	ΔP / Flow	Weight
	1 st Layer	Layer	Layer	Layer	1 st layer	layer					
WS-EPV 1900	1900 kg	4 th 1535 kg	4 th 1424 kg	17 mtr/min	4 th 20 mtr/min	Ø10 mm	4 th 71 mtr	OMR 50	135/32	160 kg	
WS-EPV 2800	2800 kg	3 rd 2350 kg	3 rd 2040 kg	15 mtr/min	3 rd 18 mtr/min	Ø12 mm	3 rd 44 mtr	OMR100	135/43	175 kg	
WS-EPV 3500	3500 kg	3 rd 2930 kg	3 rd 2800 kg	15 mtr/min	3 rd 19 mtr/min	Ø14 mm	3 rd 42 mtr	OMR125	140/53	218 kg	
WS-EPV 5000	5000 kg	3 rd 4205 kg	3 rd 3660 kg	14 mtr/min	3 rd 16 mtr/min	Ø16 mm	3 rd 43 mtr	OMSS125	145/65	275 kg	
WS-EPV 6350	6350 kg	3 rd 5320 kg	3 rd 4600 kg	12 mtr/min	3 rd 14 mtr/min	Ø18 mm	3 rd 42 mtr	OMR125	140/72	312 kg	
WS-EPV 7850	7850 kg	3 rd 6610 kg	3 rd 5700 kg	10 mtr/min	3 rd 11 mtr/min	Ø20 mm	3 rd 54 mtr	OMSS125	170/60	447 kg	
WS-EPV 9750	9750 kg	3 rd 8085 kg	3 rd 6900 kg	10 mtr/min	3 rd 12 mtr/min	Ø22 mm	3 rd 50 mtr	OMTS160	185/65	526 kg	
WS-EPV 11500	11500 kg	3 rd 9585 kg	3 rd 8200 kg	10 mtr/min	3 rd 11 mtr/min	Ø24 mm	3 rd 51 mtr	OMTS200	170/83	651 kg	

The Series WS-HPV dimensions (mm)

Winch type	A	B	C	D	E	F	I	K	L	M	N	P
WS-HPV 1900	430	440	310	244	15	375	320	228	200	-	18	215
WS-HPV 2800	430	440	310	244	15	375	320	228	200	-	18	215
WS-HPV 3500	480	490	340	273	15	430	350	228	200	-	22	245
WS-HPV 5000	540	550	400	324	15	500	410	230	200	-	22	270
WS-HPV 6350	605	550	465	355	15	555	410	230	200	-	22	300
WS-HPV 7850	685	560	545	406	15	630	420	279	250	572	22	340
WS-HPV 9750	710	600	530	406	25	650	440	284	250	-	26	360
WS-HPV 11500	790	700	610	457	25	730	540	284	250	-	26	400



Telephone: +44(0)1482 620991
 Email: sales@winchsystems.co.uk
 Web: www.winchsystems.co.uk