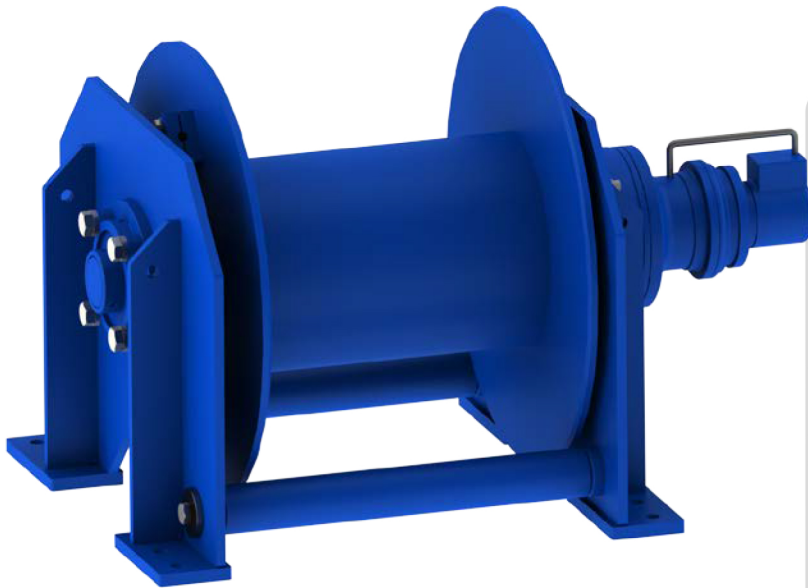


The series **WS-HP** hydraulic planetary winches



The WS-HP hydraulic planetary winch
A general planetary winch suitable for
many applications



Telephone: +44(0)1482 620991
Email: sales@winchsystems.co.uk
Web: www.winchsystems.co.uk

Standard build with high quality industrial planetary gearbox. Available in many varieties in pulling or lifting applications.

We are able to offer you many options as listed below. Below types are a small and general spectrum of what we can offer in these types of winches. Please inform us your requirement.

Standard features

- High quality industrial planetary gearbox
- Oil filled
- 2-component paint system 150µm RAL 5002

Available options

- Galvanized drum guard €€
- Electric spindle limit switch €€
- Angled planetary gearbox
- Pressure roller
- Various motor options
- Grooved drum
- Wire rope
- Alternative dimensions
- Alternative speed / pulling force

Available control options

- Proportional local or remote control valve

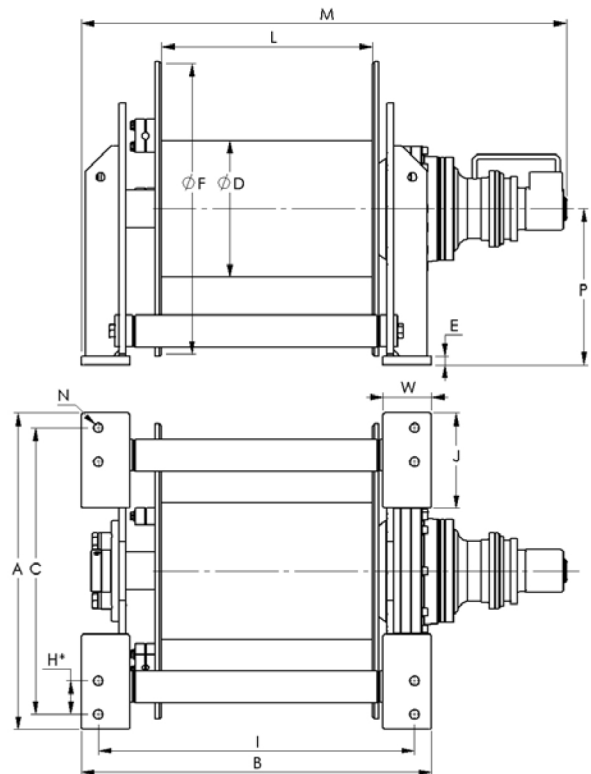
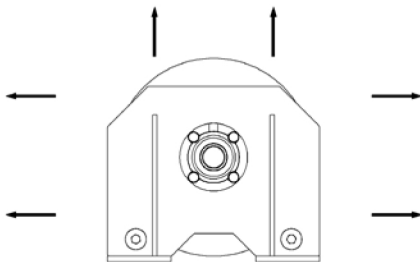
Technical specifications

The Series WS-HP specifications

| Winch type | W.L.L. | | Speed | | Recomm. rope diam. | Drum cap. 5 th layer | Hydr motor | ΔP/ Flow | Weight |
|-------------|-----------------------|-----------------------|-----------------------|-----------------------|--------------------|---------------------------------|------------|----------|--------|
| | 1 st Layer | 5 th Layer | 1 st layer | 5 th layer | | | | | |
| WS-HP 1900 | 1900 kg | 1410 kg | 15 mtr/min | 20 mtr/min | Ø10 mm | 211 mtr | OMR 50 | 120/33 | 210 kg |
| WS-HP 2800 | 2800 kg | 2040 kg | 15 mtr/min | 20 mtr/min | Ø12 mm | 198 mtr | OMR100 | 135/42 | 241 kg |
| WS-HP 3500 | 3500 kg | 2520 kg | 15 mtr/min | 21 mtr/min | Ø14 mm | 192 mtr | OMR125 | 145/55 | 287 kg |
| WS-HP 5000 | 5000 kg | 3630 kg | 14 mtr/min | 19 mtr/min | Ø16 mm | 197 mtr | OMSS125 | 145/65 | 421 kg |
| WS-HP 6350 | 6350 kg | 4580 kg | 12 mtr/min | 16 mtr/min | Ø18 mm | 194 mtr | OMSS125 | 140/70 | 442 kg |
| WS-HP 7850 | 7850 kg | 5710 kg | 11,5 mtr/min | 16 mtr/min | Ø20 mm | 198 mtr | OMSS125 | 170/70 | 527 kg |
| WS-HP 9750 | 9750 kg | 6900 kg | 10 mtr/min | 14 mtr/min | Ø22 mm | 184 mtr | OMTS160 | 195/67 | 569 kg |
| WS-HP 11500 | 11500 kg | 8200 kg | 11 mtr/min | 15 mtr/min | Ø24 mm | 188 mtr | OMTS200 | 172/95 | 745 kg |

The Series WS-HP dimensions (mm)

| Winch type | A | B | C | D | E | F | H* | I | J | L | M | N | P | W |
|-------------|-----|-----|-----|-----|----|-----|-----|-----|-----|-----|------|----|-----|-----|
| WS-HP 1900 | 550 | 820 | 430 | 219 | 20 | 500 | - | 740 | 150 | 500 | 1035 | 26 | 275 | 115 |
| WS-HP 2800 | 550 | 820 | 430 | 244 | 20 | 500 | - | 740 | 150 | 500 | 1050 | 26 | 290 | 115 |
| WS-HP 3500 | 550 | 820 | 430 | 273 | 20 | 500 | - | 740 | 150 | 500 | 1085 | 26 | 320 | 115 |
| WS-HP 5000 | 750 | 831 | 680 | 324 | 20 | 700 | 80 | 751 | 225 | 500 | 1151 | 22 | 370 | 115 |
| WS-HP 6350 | 750 | 831 | 680 | 356 | 20 | 700 | 80 | 751 | 225 | 500 | 1193 | 22 | 385 | 115 |
| WS-HP 7850 | 800 | 831 | 730 | 406 | 20 | 750 | 105 | 751 | 250 | 500 | 1358 | 22 | 425 | 115 |
| WS-HP 9750 | 800 | 831 | 730 | 406 | 20 | 750 | 180 | 751 | 250 | 500 | 1287 | 22 | 435 | 115 |
| WS-HP 11500 | 900 | 851 | 830 | 457 | 25 | 850 | 180 | 771 | 250 | 500 | 1317 | 22 | 475 | 120 |



Telephone: +44(0)1482 620991
 Email: sales@winchsystems.co.uk
 Web: www.winchsystems.co.uk