

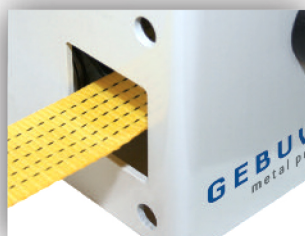
WB750 GR



## Worm gear winch

### Hand operated worm gear winch:

- robust and safe hoisting or pulling winch
- pulling capacity is approx. 2.5x hoisting capacity
- static safety factor of 4
- thin webbing belt instead of cable makes the winch very compact
- winch is enclosed belt
- belt exit upwards, downwards or at rear
- square worm-wormwheel transmission and maintenance free bearing
- adjustable crank, with ergonomic grip
- easy to grease worm-wormwheel transmission
- load pressure brake with quiet double ratchet system
- paint thickness is 60 - 80 Micron in 1 layer (in compliance with DIN/ISO 12944, C1M)
- in compliance with EN 13157 and DIN15020

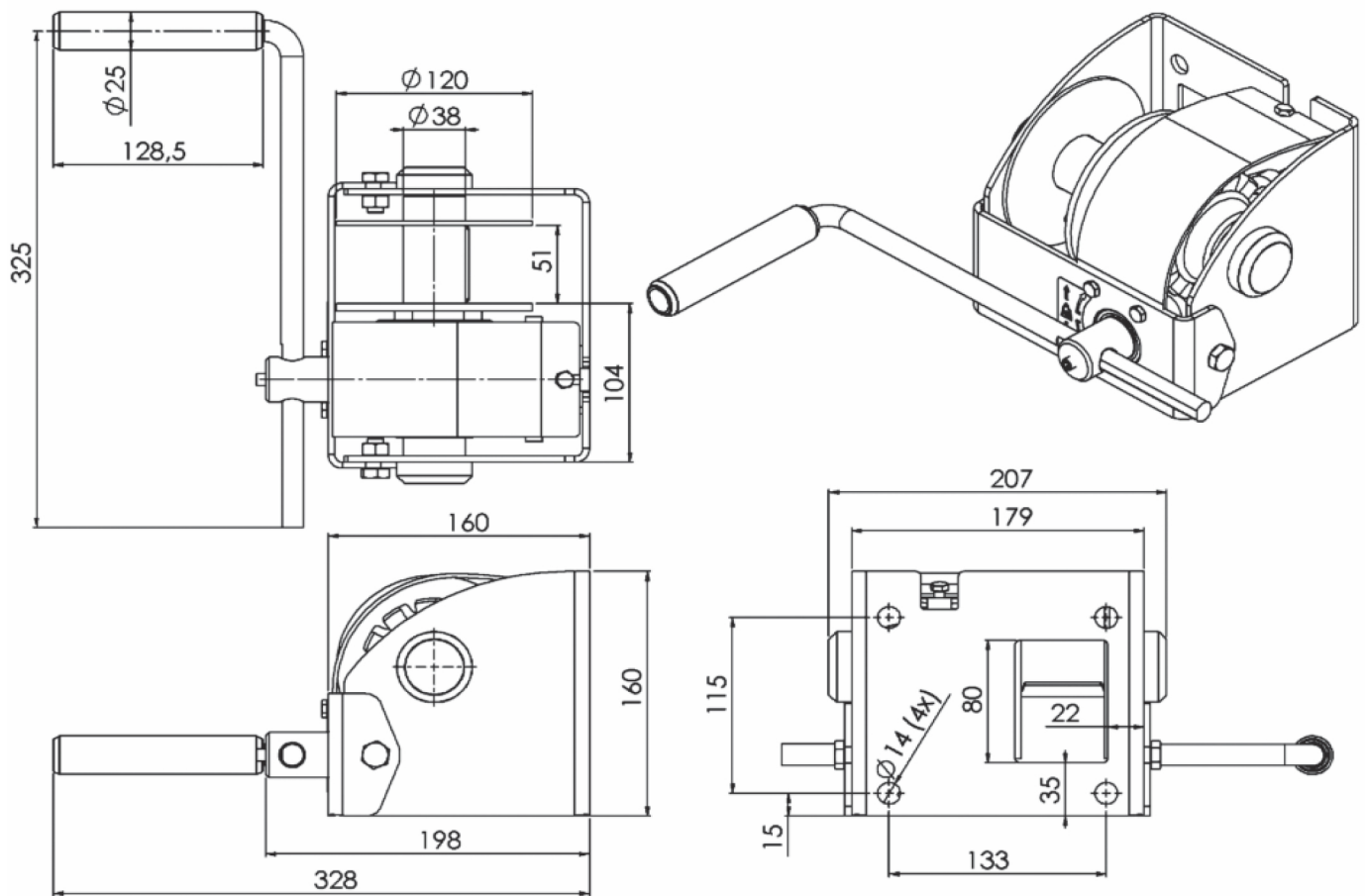


**WINCH SYSTEMS**

Telephone: +44 (0)1482 620991  
Email: sales@winchsystems.co.uk  
Web: www.winchsystems.co.uk

**GEBUWIN**  
metal products

## Technical specifications WB750 GR



Type	Mounting	Material	Remarks
WB750 GR	Wall, 4x M12 class 8.8	Painted finish	RAL 7035 (grey)
WB750 EV	Wall, 4x M12 class 8.8	Zinc-plated finish	

Technical specifications	WW750
Capacity:	
1 <sup>st</sup> belt layer	750 kg
Last belt layer	350 kg
Crankforce 1 <sup>st</sup> belt layer position	11 daN
Hoisting length by one rotation of the crank, 1 <sup>st</sup> layer	12 mm
Max. belt storage	5 m
Width belt	Max. 50 mm
Min. breaking load belt	37,5 kN
Own weight	9 kg



Telephone: +44 (0)1482 620991  
 Email: sales@winchsystems.co.uk  
 Web: www.winchsystems.co.uk