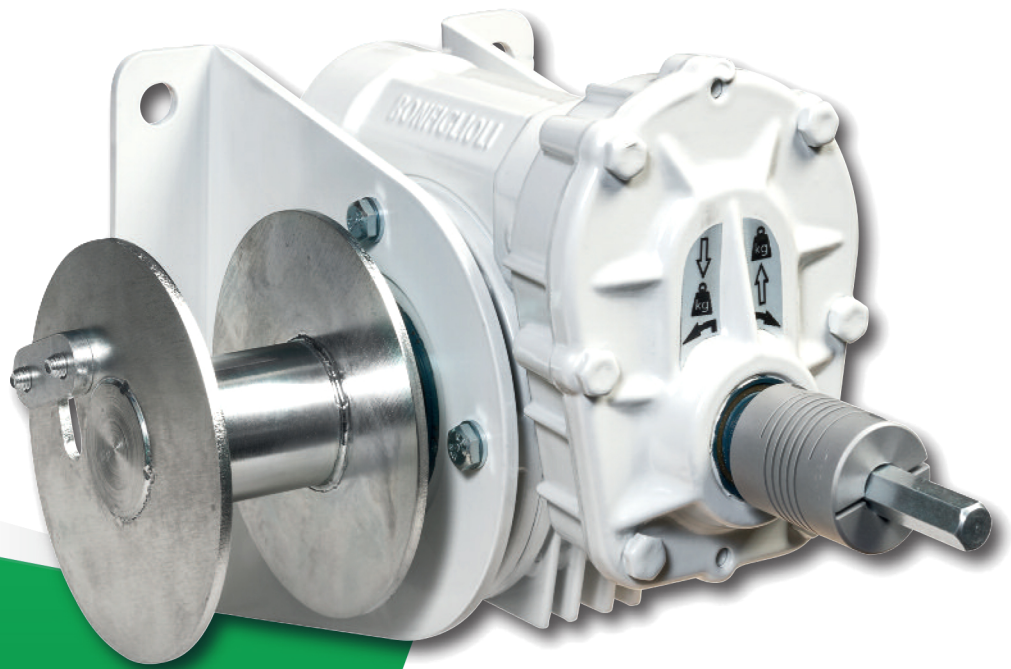


WA200 GR/D



Battery driven worm gear winch

Battery driven worm gear winch:

- robust and safe hoisting winch, for use in combination with a cordless drill
- static safety factor of 4
- flexible coupling attachment for cordless drill
- self braking worm gear system
- suitable for wall or floor (console) fixation
- suitable for short hoisting lengths
- maintenance free aluminum closed gear box
- painted frame, 1 layer (60 - 80 Micron) and zinc-plated finished cable drum
- in compliance with DIN 15020 and the EN13157

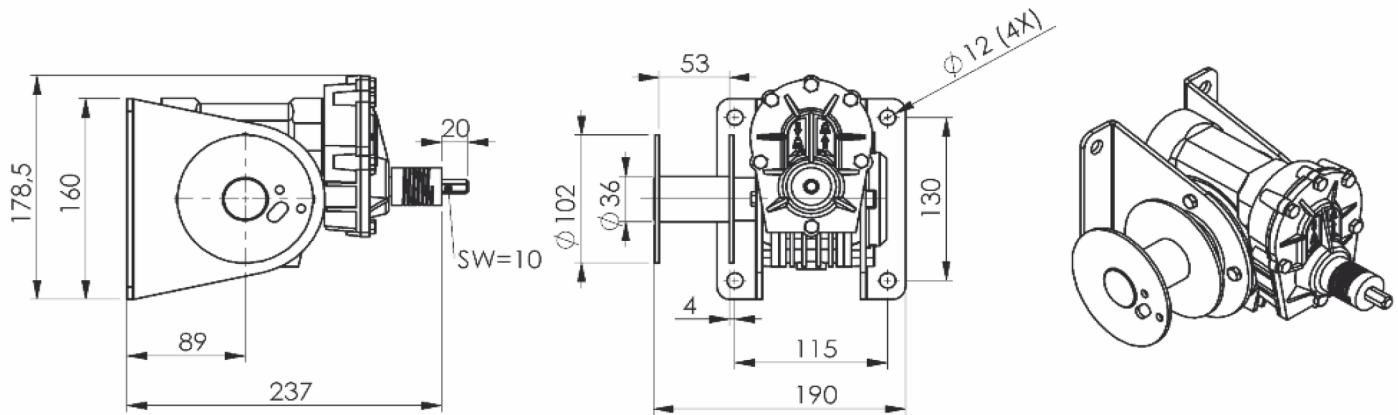


GEBUWIN
metal products

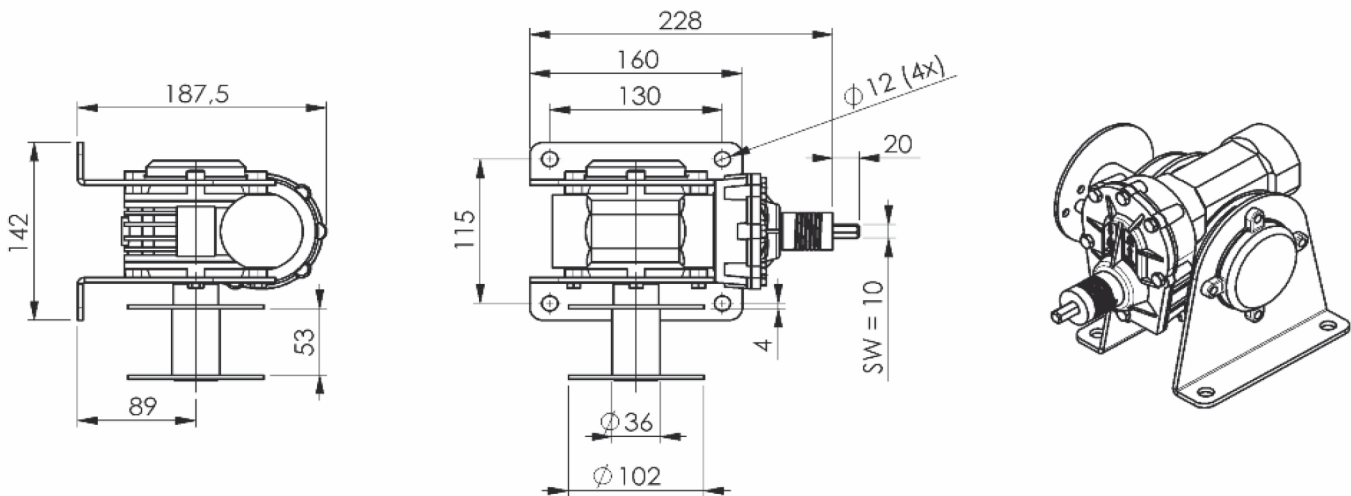
WINCH SYSTEMS

Telephone: +44 (0)1482 620991
Email: sales@winchsystems.co.uk
Web: www.winchsystems.co.uk

Technical specifications WA200 GR/D



Wall version



Floor version

Type	Mounting	Material	Remarks
WA200 GR / D	Floor or Wall 4x M10 class 8.8	Painted finish	RAL 7035 (grey)
Technical specifications			WA200
Capacity:			
1 st cable layer			200 kg
Last cable layer (7 th)			90 kg
Max. speed drill / driver			1400 rpm
Six-angled adapter			10 mm
Max. hoisting speed			800 mm/ min
Hoist length with 200 kg and cordless drill 14,4V - 3Ah			8 m
Cable capacity			18 m
Diameter cable			4 mm
Min. breaking load cable			9 kN
Own weight			6 kg



Telephone: +44 (0)1482 620991
 Email: sales@winchsystems.co.uk
 Web: www.winchsystems.co.uk