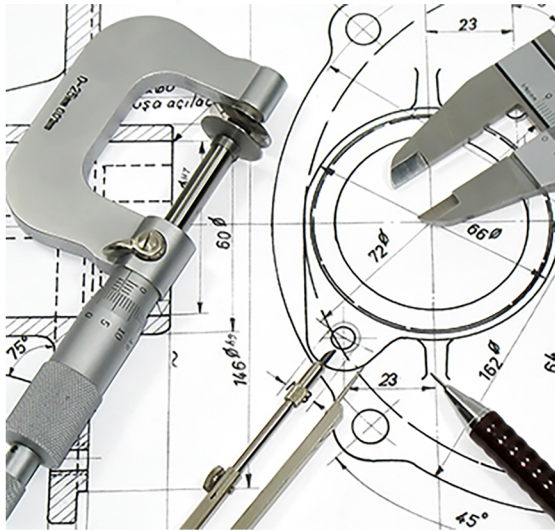


## WinchSystem special winches.

Winch Systems offers winches built to your demands or specifications.

Below are a few examples of specials made

Please inform us your requirement.



### Specials

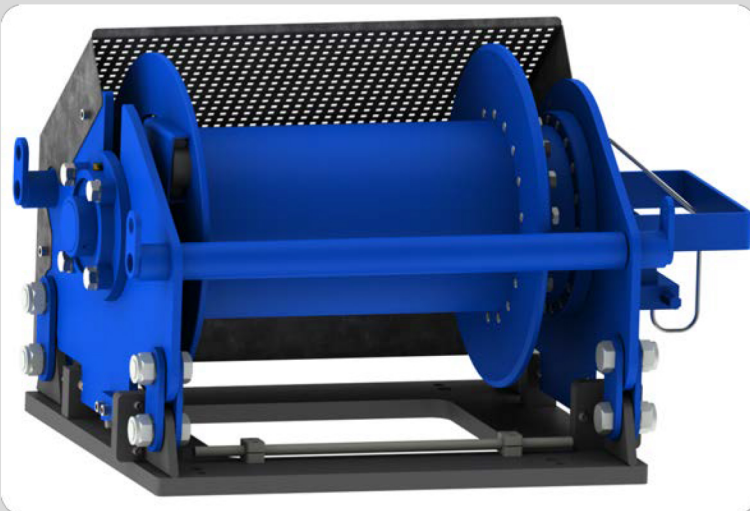
- MT-HPC 6000 SP
- MT-H 25/60H
- MT-EP 51/87H SP
- MT-PP 1500H SP
- MT-HPV 6000 SP
- MT-H 650 HR
- MT-HPKB 20/30
- MT-HC 1.500 SP
- MT-EPG 8100H
- MT-EK 7500

With the Winch Systems custom made  
winch your winch is up to specs.



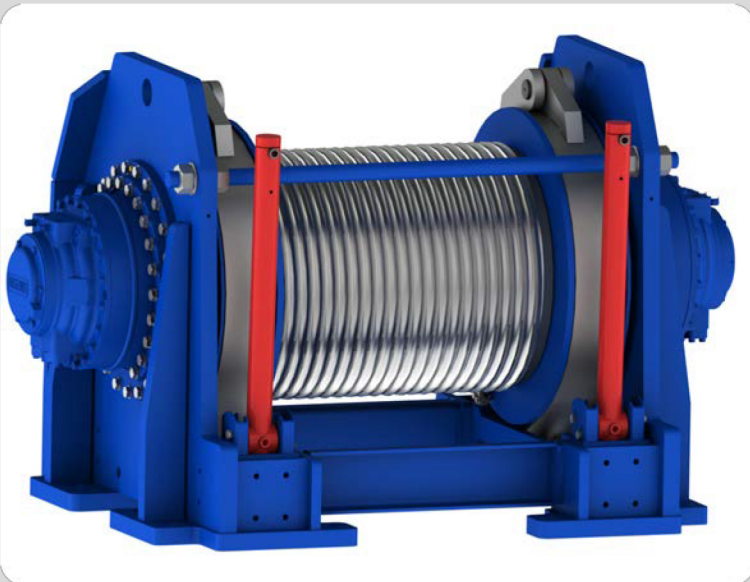
Telephone: +44(0)1482 620991  
Email: [sales@winchsystems.co.uk](mailto:sales@winchsystems.co.uk)  
Web: [www.winchsystems.co.uk](http://www.winchsystems.co.uk)

## Specials



### WS-HPC 6000 SP

- 2 load cells mounted
- With contra frame
- Drum guard
- Lifting eyes



### WS-H 25/60H

- Double hydraulic controlled band brake
- Lifting force 25t / holding force 60t
- Case hardened drum

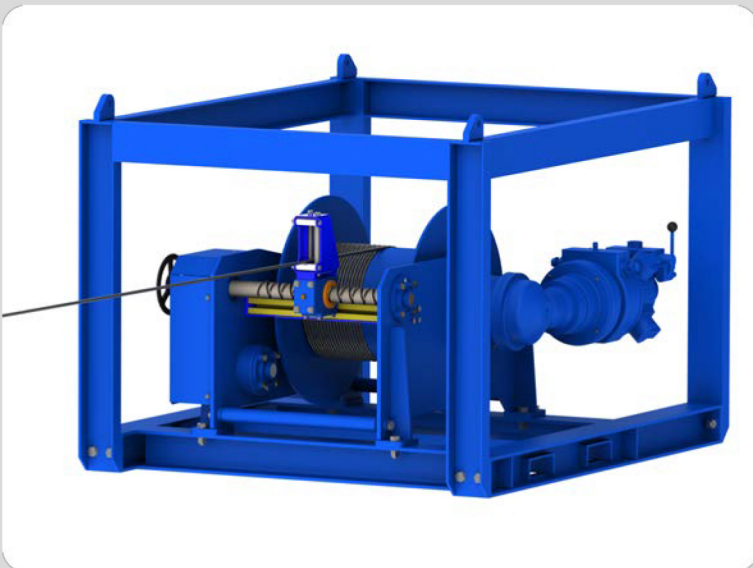


Telephone: +44(0)1482 620991  
Email: [sales@winchsystems.co.uk](mailto:sales@winchsystems.co.uk)  
Web: [www.winchsystems.co.uk](http://www.winchsystems.co.uk)



**WS-EP 51/87H SP**

- Lifting force 51t / max. force 87t
- Spooling gear automatic / Acme thread
- Slack wire device
- Fleet distance compensation

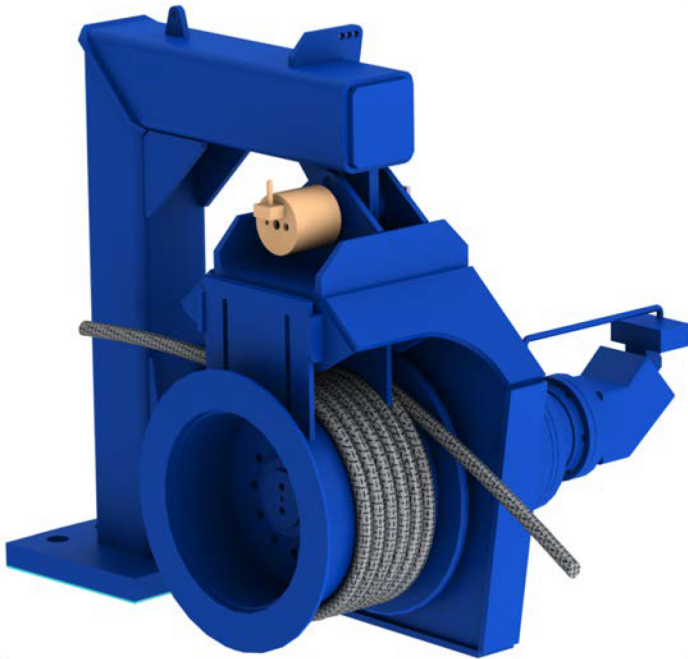


**WS-PP 1500H SP**

- Spooling system automatic / manual override
- DNV approved lifting eyes



Telephone: +44(0)1482 620991  
Email: [sales@winchsystems.co.uk](mailto:sales@winchsystems.co.uk)  
Web: [www.winchsystems.co.uk](http://www.winchsystems.co.uk)



**WS-HPV 6000 SP**

- Suspension portal with lifting eyes
- Double knife for rope control
- Load pin hanging point



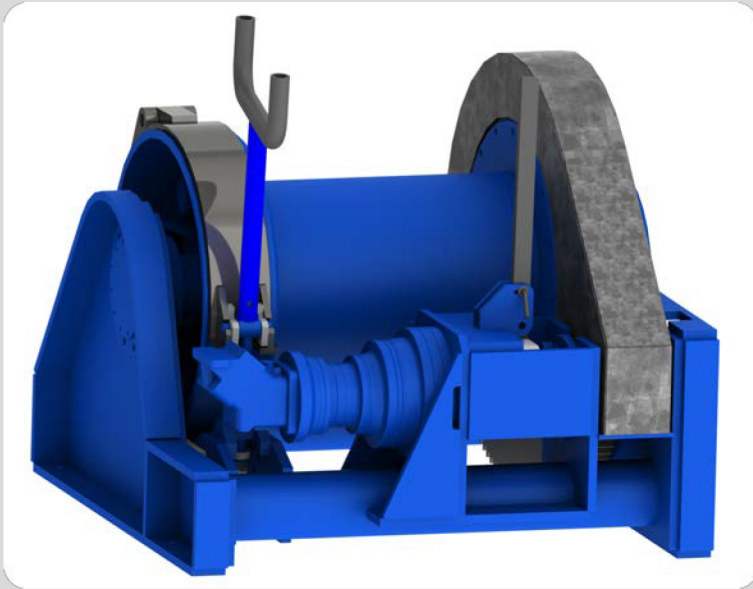
**WS-H 650 HR**

- Calliper brake
- Häglunds drive
- Slip ring unit
- Slip ring connection parts
- Load pin



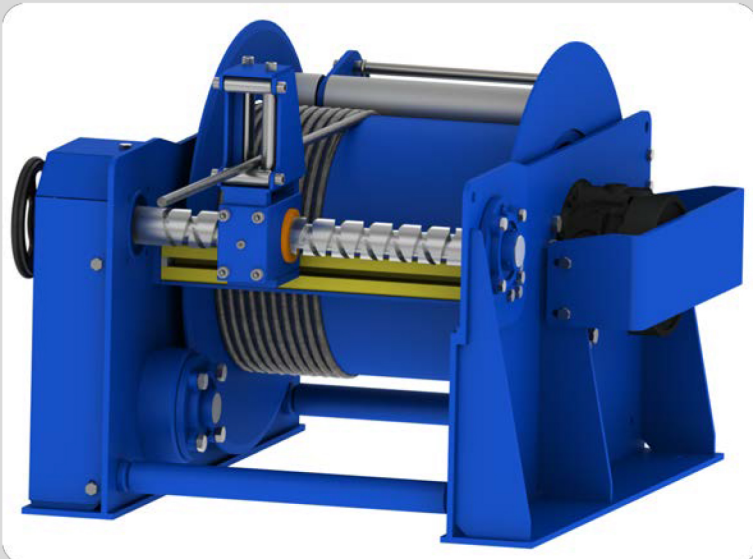
Telephone: +44(0)1482 620991  
Email: sales@winchsystems.co.uk  
Web: www.winchsystems.co.uk

## Specials



### WS-HPKB 20/30

- Pulling force 20t / holding force 30t
- Manual controlled band brake
- Manual controlled clutch
- Parallel drive through pinion
- Compact built



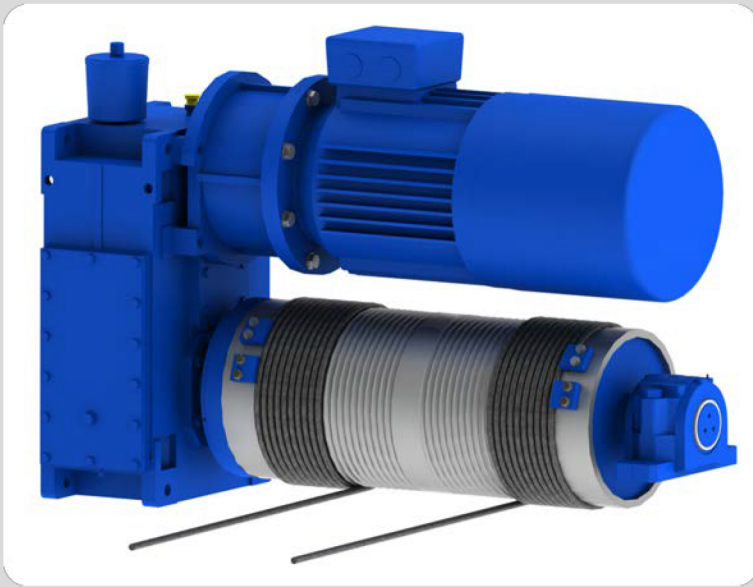
### WS-HC 1500 SP

- Automatic spooling gear
- Manual override
- Chain covers



Telephone: +44(0)1482 620991  
Email: [sales@winchsystems.co.uk](mailto:sales@winchsystems.co.uk)  
Web: [www.winchsystems.co.uk](http://www.winchsystems.co.uk)

## Specials



### WS-EPG 8100 H

- Compact built
- Double groove (Left/Right)



### WS-EK 7500

- Grooved drum
- Double cable lead (1x top/1x bottom)
- Manual brake release by hand crank



Telephone: +44(0)1482 620991  
Email: [sales@winchsystems.co.uk](mailto:sales@winchsystems.co.uk)  
Web: [www.winchsystems.co.uk](http://www.winchsystems.co.uk)