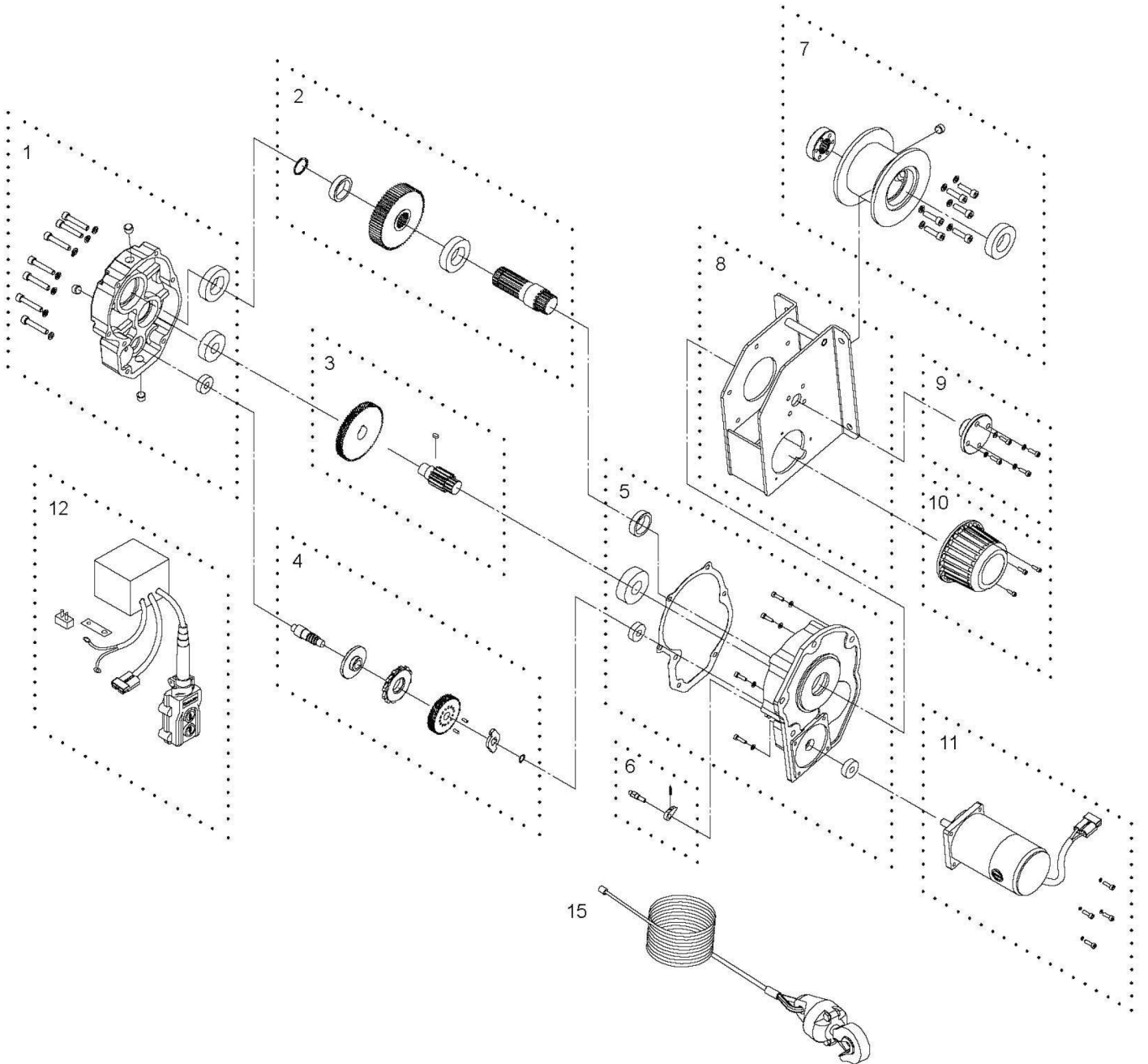


**ComeUpDH-500A 24v Part Number: 752939**

No	PN	Description	Q'ty
1	881886	Gearbox rear cover kit	1
2	881887	3rd gear kit	1
3	881888	2nd gear kit	1
4	881889	1st gear kit	1
5	881890	Gearbox support rack kit	1
6	881891	Ratchet kit	1
7	881892	Drum kit	1
8	881893	Frame kit	1
9	881895	Drum supporter	1
10	881896	Brake cover kit	1
11	881898	Motor 24V; 300w	1
12	881900	Control assembly 24V w/remote control, CPB-161	1
15	882538	Wire rope 6.35 mm x 12 m w/CHW-0005&clip	1



Telephone: +44 (0)1482 620991  
Email: sales@winchsystems.co.uk  
Web: www.winchsystems.co.uk



Telephone: +44 (0)1482 620991  
 Email: sales@winchsystems.co.uk  
 Web: www.winchsystems.co.uk