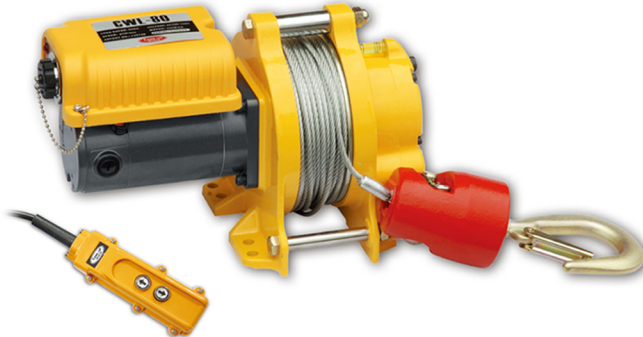


COMEUP

CWL80



Lifting capacity: 80 kg at wire rope top layer

- **Lifting speed:** 16 – 25 m/min
- **Motor rating IP44:**
 - 1 phase, 110V: 0.3 kw x 6A series wound
 - 1 phase, 220-240V: 0.3 kw x 3A series wound
- **Gear ratio:** 56:1
- **Maximum lifting height:** 23 m
- **Braking methods:**
 - for motor: Electromagnetic
 - for gear: Single mechanical ratchet
- **Wire rope:** 4 mm x 24 m
- **Drum length:** 46 mm
- **Drum dia.:** 70 mm
- **Drum flange dia.:** 158 mm
- **Mounting bolts pattern:** 120 mm x 90 mm ; 125 mm x 135 mm
- **Net weight, kg (standard version) :** 16 kg
- **Gross weight :** 18 kg
- **Body dimension, (L x D x H) :** 344 x 200 x 210 mm
- **Box dimension, (L x D x H) :** 376 x 330 x 240 mm

Standard Accessories

- Wire rope 4 mm x 24 m
- Weight hook, CHW-0031
- Power lead 1.5 mm² x 3C x 3 mm and industry plug
- Remote control, CPB-413
 - Switch cord 1.25 mm² x 6C x 3m
 - Pendant switch CPB-413

Option Accessories

- Remote Control, PB-316A
 - Switch cord 1.25 mm² x 6C x 3m
 - Pendant switch PB-316A w/an emergency stop button



Telephone: +44 (0)1482 620991
Email: sales@winchsystems.co.uk
Web: www.winchsystems.co.uk

Lifting Capacity, Lifting Speed and Rope Capacity:

Layer of Wire rope	Lifting Capacity, kg	Lifting Speed, m/min	Total Rope on the Drum, m
1 st	132	16	2.4
2 nd	119	17.2	5.1
3 rd	108	18.9	8.1
4 th	100	20.6	11.3
5 th	92	22.3	14.8
6 th	86	24	18.6
7 th	80	25	24

Note:

1. Above performance ratings are based on 50Hz supply.

Pulling Load Capacity for Various Inclines in kg

Model	Level Surface	Gradient % inclines / angle in degrees				
		10% 60°	20% 11°	40% 25°	60% 31°	80% 39°
CWL-80	600	320	240	160	128	108

Note:

- All ratings are based on the top layer. For each layer reduction on the drum pulling capacity is increased by 10%
- Use a snatch block for double line operation, to increase line pull by approximately 85%
- The pulling capacities are based on a pulling load and 15% has been allowed for friction (specific applications will vary)

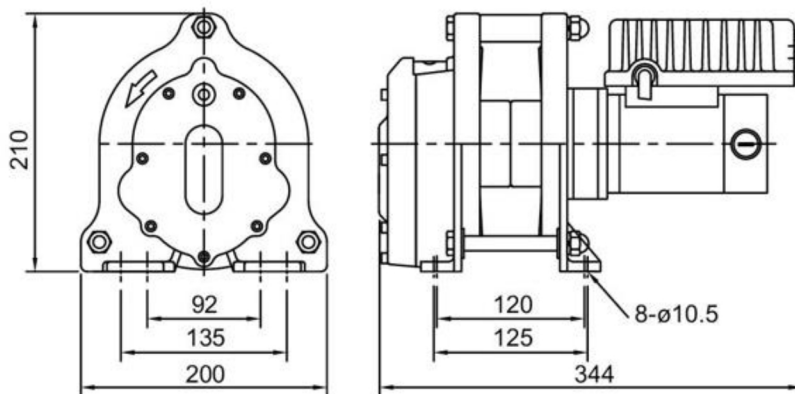
Warning

The winch is not intended to be used in any manner for the movement or lifting of personnel. The rated lifting capacity shown is based on the top rope layer on the drum. The rope winding on the drum shall remain 5 wraps from the drum.

Warranty

Each new winch is guaranteed against defects in workmanship and material defects for a period of twelve months from date of purchase. WIRE ROPES ARE NOT INCLUDED UNDER WARRANTY.

Dimension, mm/in:



Telephone: +44 (0)1482 620991
 Email: sales@winchsystems.co.uk
 Web: www.winchsystems.co.uk