

COMEUP

CP500T



- **Lifting capacity:** 500 kg at wire rope top layer
- **Lifting speed:** 12 – 18 m/min
- **Power source:** 3 phase, 380-440V
- **Motor rating IP44:** 1.8 kw x 4 poles induction brake motor
- **Gear ratio:** 42:1
- **Maximum lifting height:** 58 m
- **Braking methods:** Electromagnetic
- **Wire rope:** 7 mm x 60 m
- **Drum length:** 220 mm
- **Drum dia.:** 102 mm
- **Drum flange dia.:** 180 mm
- **Mounting bolts pattern:** 267 mm x 156 mm
- **Net weight, kg (standard version) :** 54 kg
- **Gross weight :** 56 kg
- **Body dimension, (L x D x H) :** 704 x 260 x 299 mm
- **Box dimension, (L x D x H) :** 740 x 280 x 350 mm

Standard Accessories

- Wire rope 7 mm x 60 m
- Weight hook, CHW-0005
- Remote control, CPB-213
 - Switch cord 3.5 mm² x 5C x 6 m
 - Pendant switch CPB-213

Option Accessories

- Remote Control, PB-331
 - Switch cord 3.5 mm² x 5C x 6 m
 - Pendant switch PB-331 w/an emergency stop button
- Low voltage control ass'y LV-320
 - Remote control, PB-306
 - * Switch cord 1.25 mm² x 3C x 3m
 - * Pendant switch PB-306 w/an emergency stop button
 - Low voltage control, LV-320
- Low voltage control ass'y LV-320
 - Remote control, CPB-161
 - * Switch cord 1.25 mm² x 3C x 3m
 - * Pendant switch CPB-161
 - Low voltage control, LV-320



Telephone: +44 (0)1482 620991
Email: sales@winchsystems.co.uk
Web: www.winchsystems.co.uk

Lifting Capacity, Lifting Speed and Rope Capacity:

Layer of Wire rope	Lifting Capacity, kg	Lifting Speed, m/min	Total Rope on the Drum, m
1 st	757	12	10
2 nd	671	13.4	22
3 rd	602	14.9	35
4 th	546	16.4	50
5 th	500	18	60

Note: Above performance ratings are based on 50Hz supply.

Pulling Load Capacity for Various Inclines in kg

Model	Level Surface	Gradient % inclines / angle in degrees				
		10% 60°	20% 11°	40% 25°	60% 31°	80% 39°
CP-500T	3,700	2,000	1,500	1,000	800	700

Note:

1. All ratings are based on the top layer. For each layer reduction on the drum pulling capacity is increased by 10%
2. Use a snatch block for double line operation, to increase line pull by approximately 85%
3. The pulling capacities are based on a pulling load and 15% has been allowed for friction (specific applications will vary)

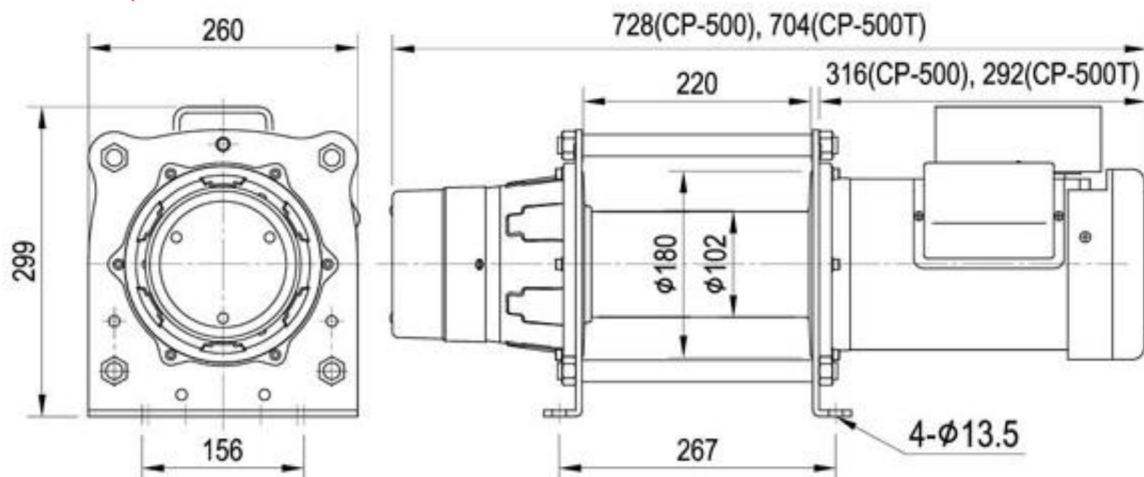
Warning

The winch is not intended to be used in any manner for the movement or lifting of personnel. The rated lifting capacity shown is based on the top rope layer on the drum. The rope winding on the drum shall remain 5 wraps from the drum.

Warranty

Each new winch is guaranteed against defects in workmanship and material defects for a period of twelve months from date of purchase. WIRE ROPES ARE NOT INCLUDED UNDER WARRANTY.

Dimension, mm/in:



Telephone: +44 (0)1482 620991
 Email: sales@winchsystems.co.uk
 Web: www.winchsystems.co.uk